



THE RUSHMORE SYSTEM

TYPE

HEAVY DUTY FRICTION HINGE

BENEFIT

Provides natural ventilation or smoke evacuation in commercial buildings

12
YEAR GUARANTEE*

THE RUSHMORE SYSTEM

- The Rushmore hinge is specifically designed for large openings in curtain walling
- Significantly enlarged glazed area made possible by the Rushmore means fewer broken sightlines
- Windows can be manually operated or mechanically or motor driven to control opening and closing
- Helps provide natural ventilation or smoke evacuation in commercial buildings
- Easily supports bottom hung vents of 350kg and 4.2 metres high*
- Easily supports top hung vents of 250kg and 3 metres high*
- Successfully tested to 10,000 cycles
- The Rushmore is constructed in robust 304 grade austenitic steel - quality built to last.

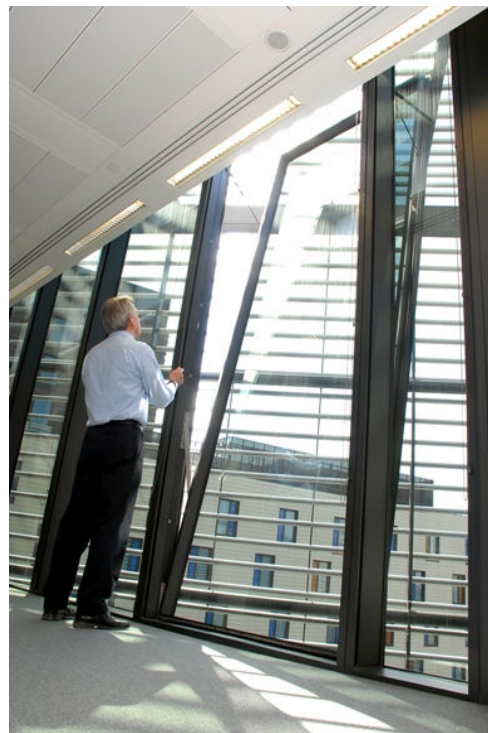


WINDOW AUTOMATION

If the windows are to be automated, Securistyle can supply all required technical details on the types of synchronous motors to be used, their placement etc. These motors and their power packs, cabling etc. can also be supplied by Securistyle, as part of the total hardware package for the window, as can all relevant perimeter locks and handles etc.

Windows incorporating Rushmore technology tend to be large and heavy. In every case, we strongly advise you to contact our Technical Department for further advice.

** Fully tested parameters. Much larger vents can be tested on a project specific basis.*



6 More London Place, London, UK

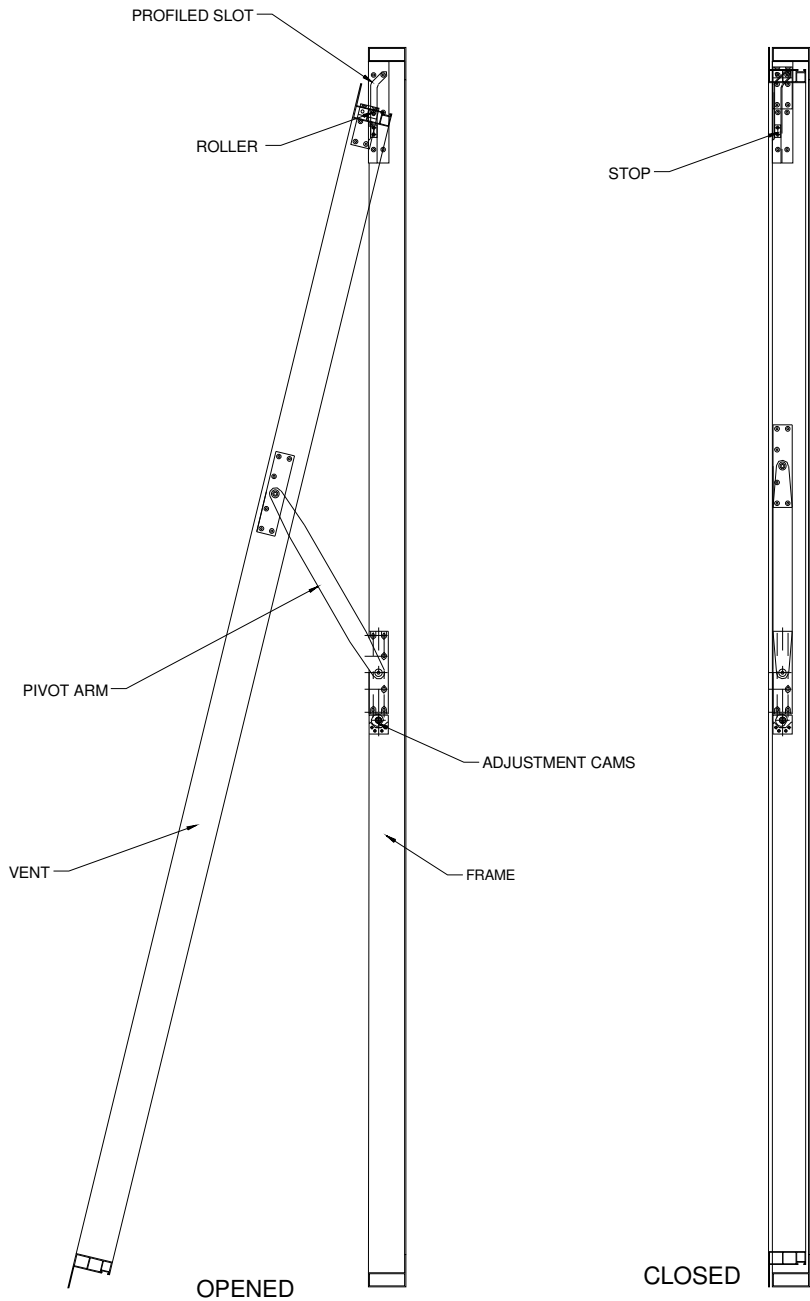
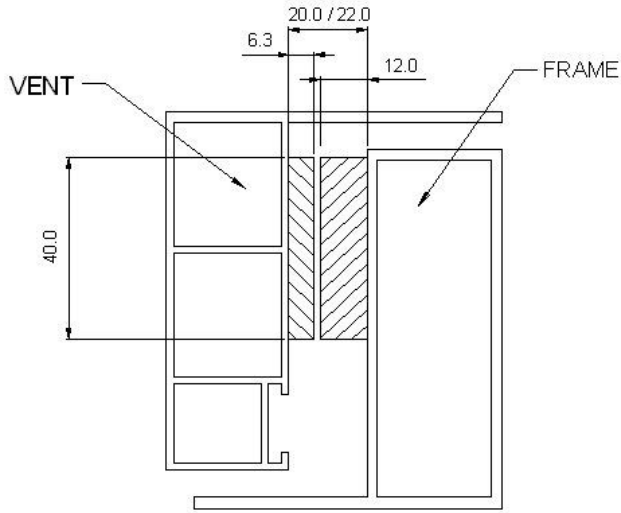
austenitic
304



Securistyle Ltd

Kingsmead Industrial Estate, Princess Elizabeth Way
Cheltenham, Gloucestershire GL51 7RE, UK

TECHNICAL DRAWINGS



Due to our policy of continual improvement we reserve the right to alter specifications without notice. It is the responsibility of the window & door manufacturer to ensure that the finished window/ door meets the required performance and safety specification. All transactions are subject to our standard conditions of supply, which are available on request